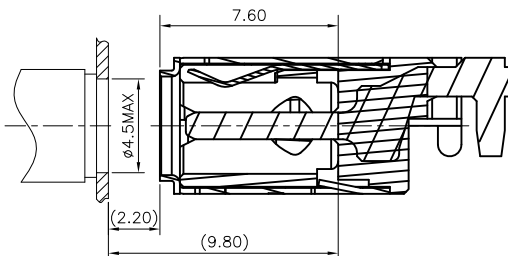
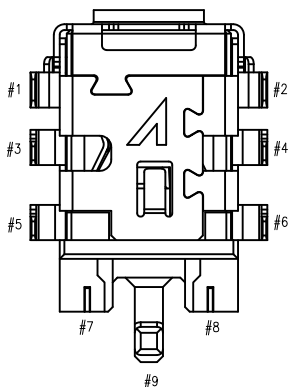
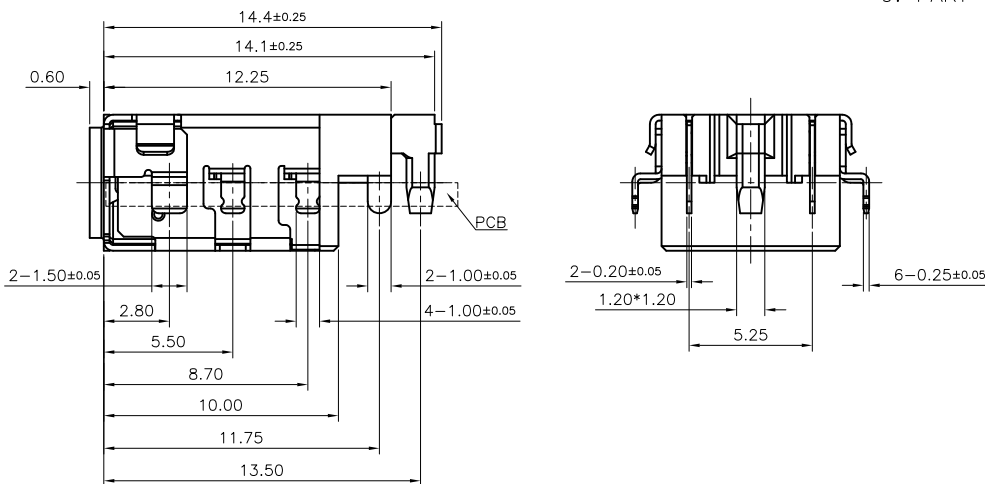
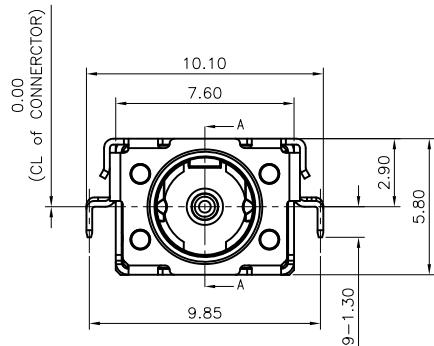


RECOMMENDED PCB LAYOUT (TOP VIEW)
(TOLERANCE=±0.05mm ; THICKNESS=1.0t)

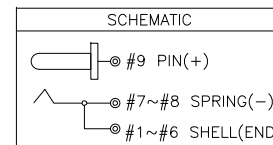


REFERENCE MATING DRAWING

NOTES:

- MATERIAL: SEE TABLE
PLATING: TERMINAL: GOLD PLATED ON CONTACT AREA, AND MATTE-TIN 60~150u" ON SOLDER AREA
SHELL: NICKEL PLATED 60u"MIN.
- THE CAVITY, LOGO MAX HEIGHT 0.10mm ABOVE SURFACE. THE TEXT HEIGHT IS ABOUT 1mm.
- IF ANY DIMENSIONS OR DRAFT ANGLES WEREN'T MARKED, PLS. REFER TO 3D DRAWING
- ELECTRICAL CHARACTERISTICS:
 - RATING: 20V 5A
 - CONTACT RESISTANCE: INITIAL 10mΩ MAX; AFTER 15mΩ MAX
 - DIELECTRIC WITHSTANDING VOLTAGE: 500V AC FOR ONE MINUTE
 - INSULATION RESISTANCE: 100MΩ MIN. MEASURED BY 500 VDC
- MECHANICAL CHARACTERISTICS:
 - INSERTION FORCE: 0.8~2.0kg. (INITIAL & AFTER LIFE TEST)
 - WITHDRAWAL FORCE: 0.8~2.0kg. (INITIAL & AFTER LIFE TEST)
- LIFE TEST: 8,000 CYCLES MIN
- SPEC. PLS. REFER TO SPEC-58901-XXXX-XXX
- PACKAGE PLS. REFER TO 58913-002XX-XXX-PCK
- PART NUMBER

58919-002 0 2 -001
 CKT ————
 ———— PLATING:
 2: GOLD FLASH
 ———— PACKING:
 0: TAPE & REEL
 ———— 001: NONE



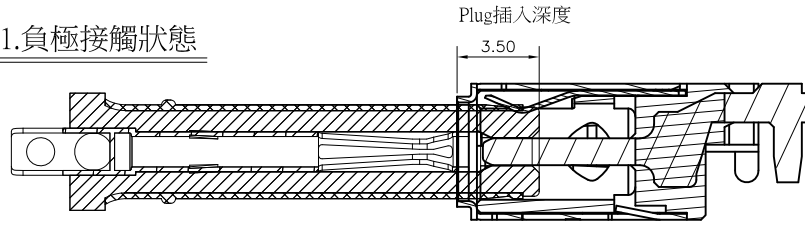
C	SHELL	1	SUS304-1/2H, 0.25T	NICKEL PLATED
B	SIGNAL	1	C5210-EH, 0.2T	TIN PLATED
A	INSERT MOLDING	1	PIN:C2680-H, 1.2T	GOLD FLASH
		1	BODY:PA4T+30%GF UL94V-0	BLACK
NO	DESCRIPTION	Q'TY	MATERIAL	PLATING & COLOR

一般公差 TOLERANCES X. ±0.5 XX ±0.15 X ±0.25 XXX ±0.1 ANGLES ±2°		宏致電子股份有限公司 Aces Electronics Co.,Ltd.		
檢驗尺寸標示	品名 (TITLE)	製圖 (DR)		
SYMBOLS ① ② INDICATE CLASSIFICATION DIMENSION	4ø DC POWER JACK (CH:0)	'15/10/20 MARK-C		
① MARK IS CRITICAL DIM. ② MARK IS MAJOR DIM.	圖號 (DWG NO.)	審核 (CHKD) BRUCE		
表面處理 (FINISH)	58919-00202-001	核准 (APPD) JACK		
	比例 (SCALE) 3.2:1	單位 (UNITS) mm	張數 (SHEET) 1 OF 2	SIZE A4
				REV 0

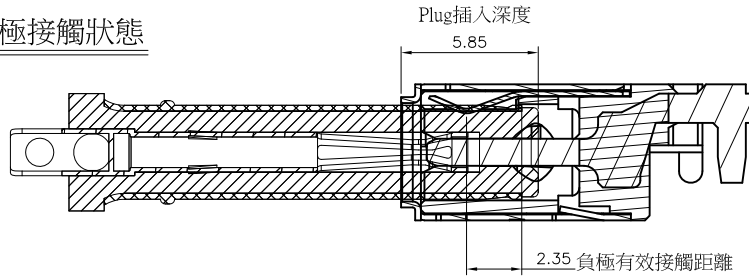
REV.	ECN NO OR DESCRIPTION	REVISED	DATE
0	PDR NO: APD1040225	MARK-C	2015.10.20



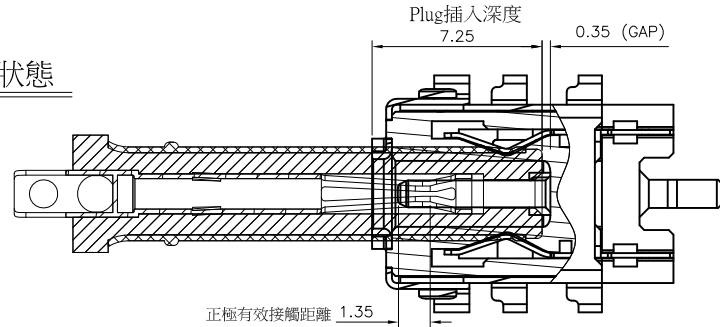
1. 負極接觸狀態



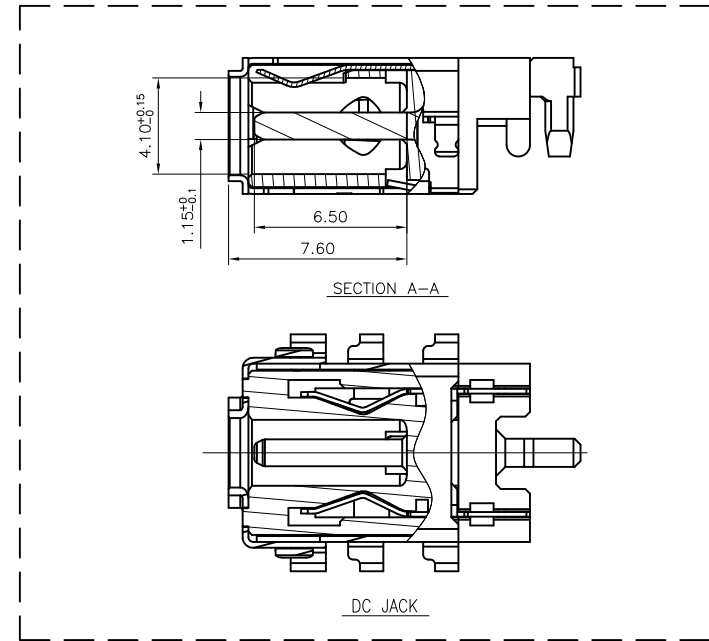
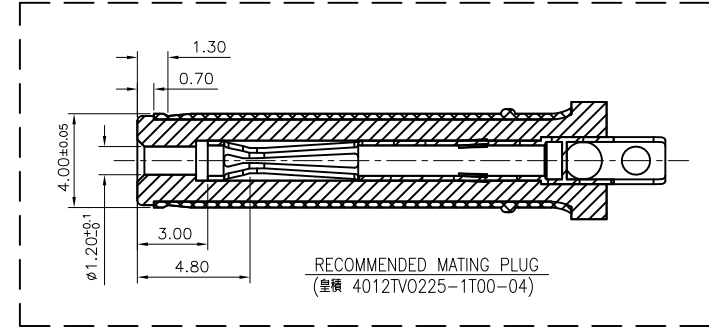
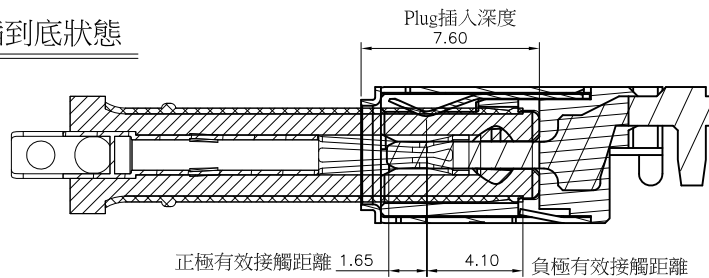
2. 正極接觸狀態



3. Lock狀態



4. Plug插到底狀態



一般公差 TOLERANCES X. ±0.5 XX ±0.15 X ±0.25 XXX ±0.1 ANGLES ±2°		宏致電子股份有限公司 Aces Electronics Co.,Ltd.	
檢驗尺寸標示 SYMBOLS CLASSIFICATION DIMENSION	品名 (TITLE) 4φ DC POWER JACK (CH:0)	製圖 (DR) '15/10/20 MARK-C	審核 (CHKD) BRUCE
MARK IS CRITICAL DIM. MARK IS MAJOR DIM.	圖號 (DWG NO.) 58919-00202-001	核准 (APPD) JACK	
表面處理 (FINISH)	比例 (SCALE) 3.2:1	單位 (UNITS) mm	張數 (SHEET) 2 OF 2
			SIZE A4
			REV 0